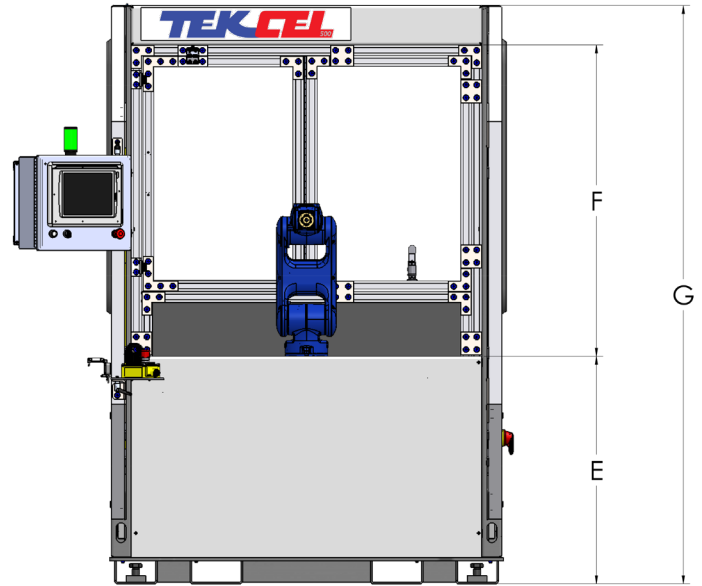
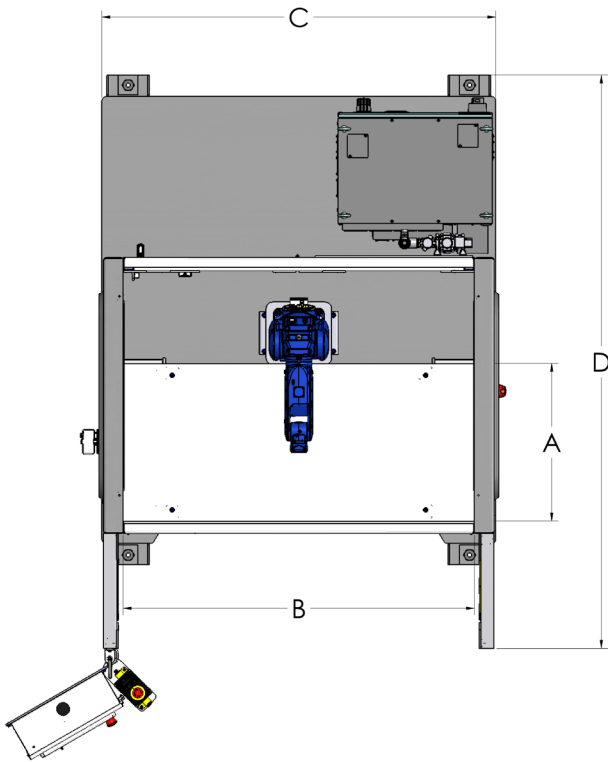


TranTek Systems pre-engineered automation cells are cost-effective and offer the following features and benefits

- Common base for ease of installation and start up
- Design is adaptable to multiple configurations and applications.
- Available with tooling for a turn-key single source solution
- Pre-engineered for shorter lead-times
- Low investment cost
- PLC/HMI and other features of high technical content are included
- Safety PLC is standard
- Customer selectable component options in base price
- Compatible with all robot manufacturers
- Easy tool accessibility from rear entry doors
- Obstruction-free cell access with hidden cable routing
- Preconfigured PLC/HMI base programs for easy start ups



WORK CELL DIMENSIONS

"A" - Work Area	24.00" (609.6mm)
"B" - Front Opening Width	53.50" (1358.9mm)
"C" - Overall Width	60.00" (1524mm)
"D" - Overall Length	87.25" (2216.15mm)
"E" - Opening Height	34.63" (879.60mm)
"F" - Tool Envelope	47.38" (1203.45mm)
"G" - Overall Height	88.00" (2235.2mm)

INCLUDED FEATURES

360 Degree Viewable	¼" clear polycarbonate panels
Light Curtains	25mm resolution cascadable
Cell Lighting	Industrial led light bars
Robot Riser	590mm height
Tool Riser	Tubular frame
Integrated Cell	Functionally programmed cell ready for tooling
Stack Light	3 color red, amber & green
Operator Runbar	Cycle start OPTO-Touch & E-Stop
PLC (Choice Of)	AB CompactLogix Safety Processor 5069 L310ERS2 Siemens SIMATIC S7-1500 F
HMI (Choice Of)	AB PanelView Plus 7 -1 O" Siemens TP1200 Comfort Panel
Paint Color (Choice Of)	Any RAL color pallet- industrial enamel
Panel Color	Red, blue or charcoal 1/4" polymer
PLC Main Panel	Low voltage control panel (24vdc)
Power Distribution Panel	High voltage control panel (120vac-480vac)
FRL & Drip Leg	1/2" drip leg, filter regulator & lock-out
Quick Disconnect tooling features	Ethernet & Pneumatics available at tooling



TranTek Systems
417 Hughes Drive
Traverse City, MI
49696

Phone (231) 946-6270
FAX (231)946-3206
Info@TranTekSystems.com
TranTekSystems.com